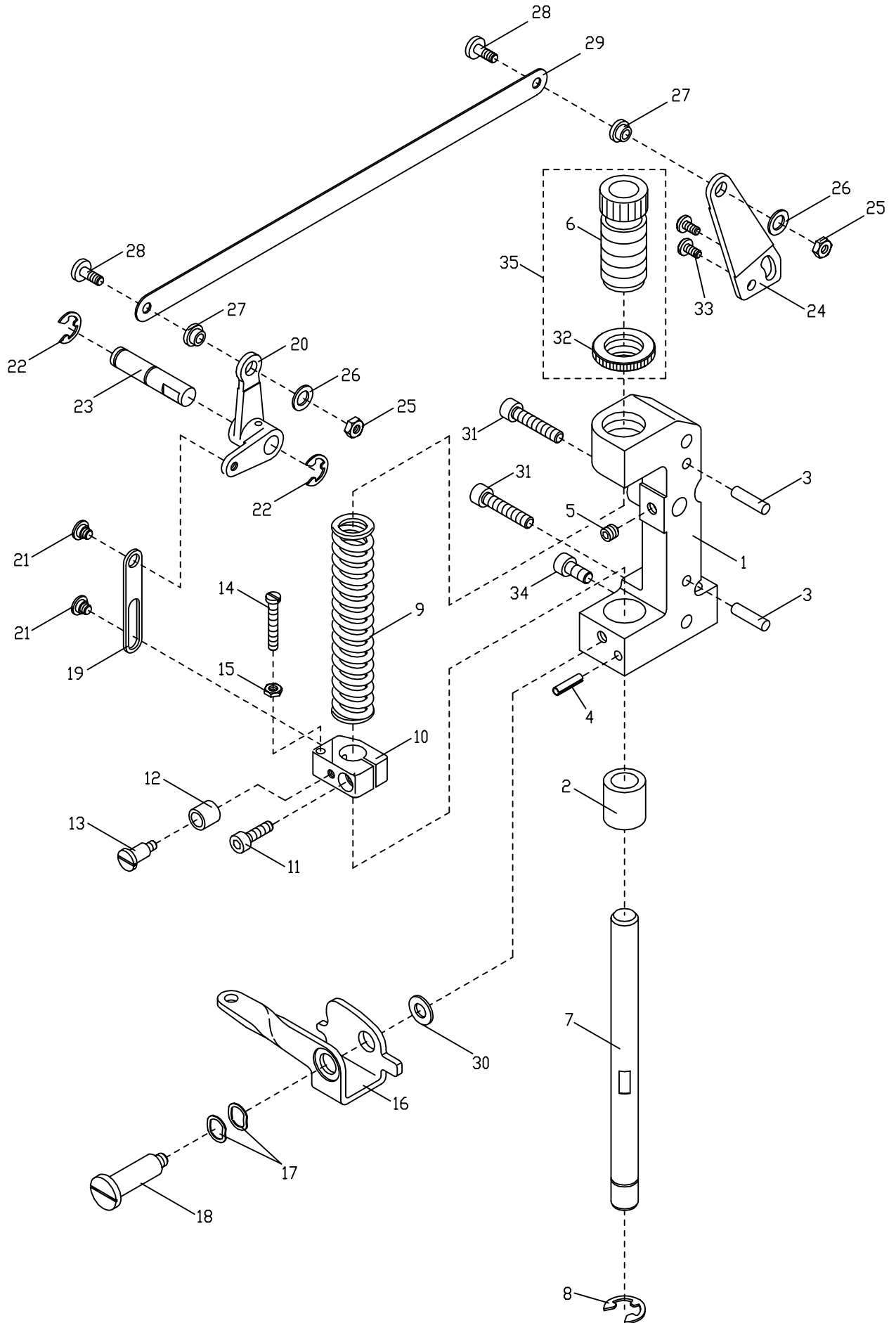


1. RP001/RP01A/RP003/PC03 輔助拖輪  
Puller Mechanism For RP001/RP01A/RP01B/RP003/PC03

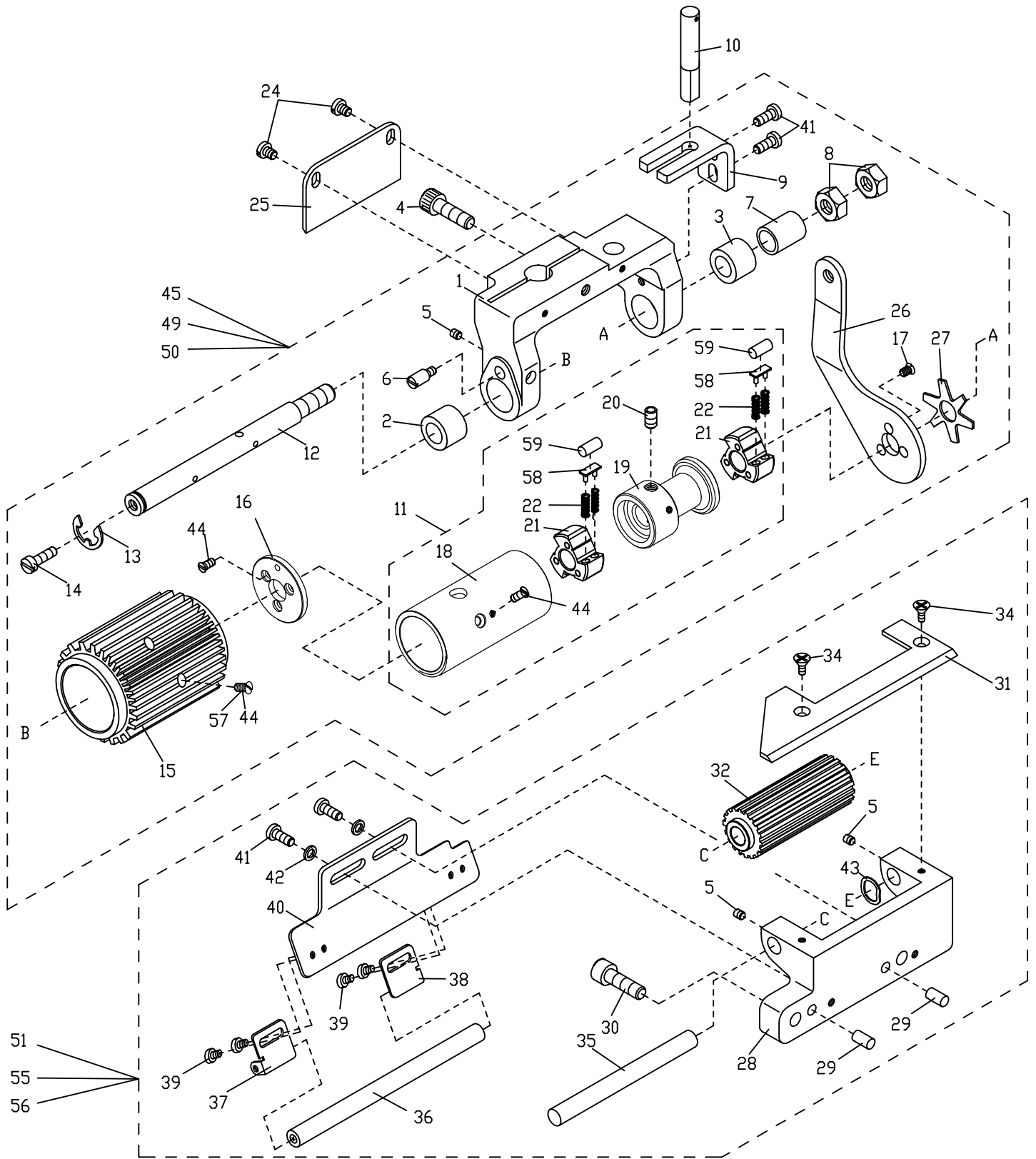


# 1. RP001/RP01A/RP003/PC03 輔助拖輪

## Puller Mechanism For RP001/RP01A/RP003/PC03

| 序號<br>Ref. No. | 物料編號<br>Parts No. | 名稱<br>Description                          | 單位用量<br>Amt. Req. |
|----------------|-------------------|--|-------------------|
| 1              | 4RP0010101        | 機架 Upper Feed Roller Bracket -----         | 1                 |
| 2              | 4RP0010102        | 軸襯 Roller Press Bar Bushing -----          | 1                 |
| 3              | 4RP0010103        | 定位梢 Knock Pin -----                        | 2                 |
| 4              | 90SP0416          | 止動梢 Stop Pin -----                         | 1                 |
| 5              | 8MN06400500A      | 螺絲 Screw (CT0513 M6-1*5) -----             | 1                 |
| 6              | 2310001221        | 調壓螺椿 Spring Regulator -----                | 1                 |
| 7              | 4RP0010107        | 軸 Upper Feed Rrler Press Bar -----         | 1                 |
| 8              | 90ER100           | 扣環 Retaining Ring -----                    | 1                 |
| 9              | 4RP0010109        | 壓力彈簧 Roller Press Spring -----             | 1                 |
| 10             | 4RP0010110        | 彈簧座 Roller Press Bar Bracket -----         | 1                 |
| 11             | 8MM05321609A      | 螺絲 Screw (RP0111 M5-0.8*16) -----          | 1                 |
| 12             | 4RP0010112        | 套管 Lifting Lever Sleeve -----              | 1                 |
| 13             | 8SB44401510G      | 螺椿 Stud (RP0113 11/64"-40*14.6) -----      | 1                 |
| 14             | 8SB44403006A      | 螺絲 Screw (RP0114 11/64"*30) -----          | 1                 |
| 15             | 8SA44400307A      | 螺帽 Nut (SH0914 11/64"-40*2.5) -----        | 1                 |
| 16             | 4RP0010116        | 揚昇手柄 Upper Feed Roller Lifting Lever ----- | 1                 |
| 17             | 90WW105           | 波形墊圈 Corrugated Washer -----               | 2                 |
| 18             | 8MB06403516G      | 螺椿 Stud (RP0118 M6-1*35) -----             | 1                 |
| 19             | 4RP0010119        | 吊桿 Lifter Connecting Plate -----           | 1                 |
| 20             | 4RP0010120        | 吊臂 Right Upper Feed Roller Arm -----       | 1                 |
| 21             | 8SB48320510G      | 螺絲 Screw (RP0121 3/16"-32*5) -----         | 2                 |
| 22             | 90ER080           | 扣環 Retaining Ring -----                    | 2                 |
| 23             | 4RP0010123        | 軸 Upper Feed Roller Lifter Pin -----       | 1                 |
| 24             | 4RP0010124        | 吊臂 Left Upper Feed Roller Arm -----        | 1                 |
| 25             | 8SA44400307A      | 螺帽 Nut (SH0914 11/64"*2.5)-----            | 2                 |
| 26             | 2100000526        | 墊圈 Washer -----                            | 2                 |
| 27             | 4RP0010127        | 隔環 Spacer -----                            | 2                 |
| 28             | 8SB44401110B      | 螺絲 Screw (RP0128 11/64"-40*11) -----       | 2                 |
| 29             | 4RP0010129        | 拉桿 Lifter Connecting Plate -----           | 1                 |
| 30             | 2100000645        | 墊圈 Washer -----                            | 1                 |
| 31             | 8MM06403010A      | 螺絲 Screw (NT67-01-17 M6-1*30) -----        | 2                 |
| 32             | 2310001222        | 螺帽 Nut -----                               | 1                 |
| 33             | 8MP05320810A      | 螺絲 Screw (STB0117 M5-0.8*8) -----          | 2                 |
| 34             | 8MM06401210A      | 螺絲 Screw (FT1103 M6-1*12) -----            | 1                 |
| 35             | 231A0001244       | 調壓螺椿組 Spring Regulator Asm.-----           | 1                 |

## 2. RPC03 後拉引式拖輪裝置 Rear Puller For RPC03



|    | A 組 A-TYPE        | E 組 E-TYPE      | F 組 F-TYPE        |
|----|-------------------|-----------------|-------------------|
| 序號 | 45                | 49              | 50                |
|    | 4RPC03A0245       | 4RPC03A0249     | 4RPC03A0250       |
| 15 | 4RP01A0215-30     | 2200050113(50齒) | 4RP01A0215-0      |
| 44 | 8SF36400606A*9pcs |                 | 8SF36400606A*6pcs |
| 57 |                   |                 | 8SB36400606K*3pcs |

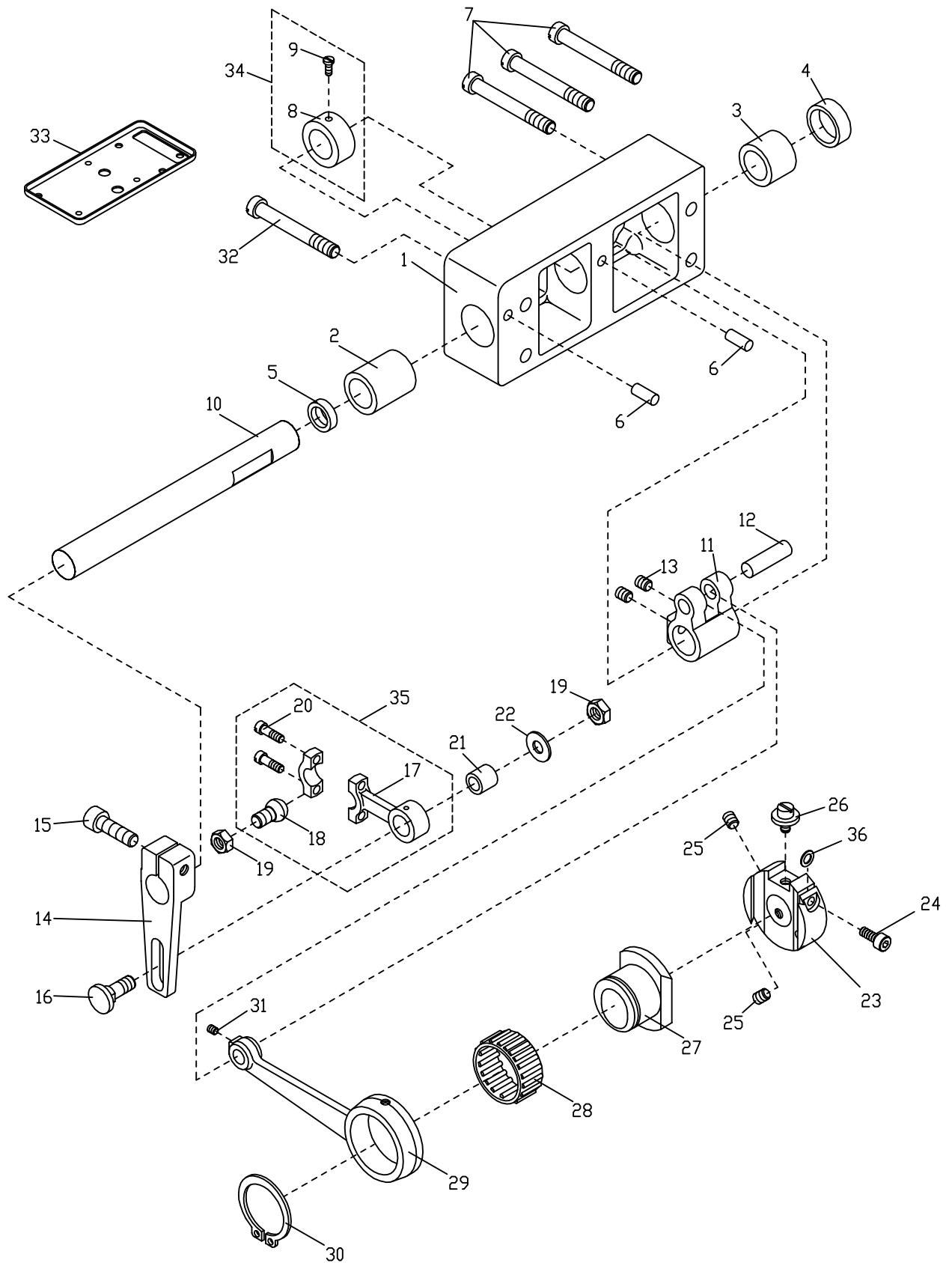
|    | 51            | 55              | 56           |
|----|---------------|-----------------|--------------|
| 序號 | 4RP01AA0251   | 4RP01AA0255     | 4RP01AA0256  |
| 32 | 4RP0010232-15 | 2200050114(25齒) | 4RP0010232-0 |

## 2. RPC03 輔助拖輪 Puller Mechanism For RPC03

| 序號<br>Ref. No. | 物料編號<br>Parts No. | 名稱<br>Description                                 | 單位用量<br>Amt. Req. |
|----------------|-------------------|---|-------------------|
| 1              | 4RP0010201        | 主動輪座 Upper Feed Roller Yoke -----                 | 1                 |
| 2              | 4RP0010202        | 軸襯 Left Clutch Driving Shaft Bushing -----        | 1                 |
| 3              | 4RP0010203        | 軸襯 Right Clutch Driving Shaft Bushing -----       | 1                 |
| 4              | 8MM06402010A      | 螺絲 Screw (SH0444 M6-1*20) -----                   | 1                 |
| 5              | 8MN04280400A      | 螺絲 Screw (CT0229 M4-0.7*4) -----                  | 3                 |
| 6              | 4RP0010206        | 止動梢 Stop Pin -----                                | 1                 |
| 7              | 4RP0010207        | 襯套 Clutch Tension Sleeve -----                    | 1                 |
| 8              | 8MA08500613A      | 螺帽 Nut (RP0208 M8-1.25*6) -----                   | 2                 |
| 9              | 4RP0010209        | 導軌 Yoke Guide -----                               | 1                 |
| 10             | 4RP0010210        | 軸 Yoke Pin -----                                  | 1                 |
| 11             | 4RPC03A0211       | 套筒組 Clutch Sleeve Asm. -----                      | 1                 |
| 12             | 4RP01A0212        | 主動輪軸 Clutch Driving Shaft -----                   | 1                 |
| 13             | 90ER090           | 扣環 Retaining Ring -----                           | 1                 |
| 14             | 8MB05320710A      | 螺絲 Screw (M5-0.8*7) -----                         | 1                 |
| 15             | -----             | 主動輪 Upper Feed Roller (See Left Page) -----       | 1                 |
| 16             | 4RP0010216        | 封蓋 Clutch Cheek Plate -----                       | 1                 |
| 17             | 8SF36400506A      | 螺絲 Screw (RP01A0217 9/64"-40*6.2)-----            | 3                 |
| 18             | 4RPC030218        | 套筒 Clutch Sleeve -----                            | 1                 |
| 19             | 4RPC030219        | 隔環 Clutch Spacer -----                            | 1                 |
| 20             | 8MN06400600A      | 螺絲 Screw (CT0244 M6-1*6) -----                    | 1                 |
| 21             | 4RP00102211       | 離合器 Clutch -----                                  | 2                 |
| 22             | 4RPC030222        | 彈簧 Clutch Spring -----                            | 12                |
| 23             | -----             | -----   | -                 |
| 24             | 8MB04280507K      | 螺絲 Screw (FT0235 M4-0.7*5) -----                  | 2                 |
| 25             | 4RP0010245        | 蓋板 Lower Feed Roller Cover -----                  | 1                 |
| 26             | 4RP0010226        | 拉柄 Clutch Driving Lever -----                     | 1                 |
| 27             | 4RP0010227        | 星形壓環 Clutch Tension Spring -----                  | 1                 |
| 28             | 4RP0010228        | 從動輪座 Lower Feed Roller Support -----              | 1                 |
| 29             | 4RP0010103        | 定位梢 Knock Pin -----                               | 2                 |
| 30             | 8MM06401210A      | 螺絲 Screw (FT1103 M6-1*12)-----                    | 2                 |
| 31             | 4RP0030233        | 蓋板 Lower Feed Roller Cover -----                  | 1                 |
| 32             | -----             | 從動輪 Lower Feed Roller (See Left Page) -----       | 1                 |
| 33             | -----             | -----   | -                 |
| 34             | 8ME03200606A      | 螺絲 Screw (CT0235 M3-0.5*6) -----                  | 2                 |
| 35             | 4RP0010235        | 從動輪軸 Lower feed Roller Shaft -----                | 1                 |
| 36             | 4RP0010236        | 輔助滾柱 Supplementary Roller -----                   | 1                 |
| 37             | 4RP0010237        | 滾柱架(左) Left Supplementary Roller Stay -----       | 1                 |
| 38             | 4RP0010238        | 滾柱架(右) Right Supplementary Roller Stay -----      | 1                 |
| 39             | 8SC32440406B      | 螺絲 Screw (PF0128 1/8"-44*4)-----                  | 4                 |
| 40             | 4RP0010240        | 滾柱座 Supplementary Roller Support -----            | 1                 |
| 41             | 8MB04280807K      | 螺絲 Screw (CT0215 M4-0.7*8)-----                   | 4                 |
| 42             | 2100000223        | 墊圈 Washer -----                                   | 2                 |
| 43             | 4RP0010243        | 波形墊圈 Corrugated Washer -----                      | 1                 |
| 44             | 8SF36400606A      | 螺絲 Screw (RP0217 9/64"-40*6) -----                | -                 |
| 45             | 4RPC03A0245       | 主動輪組 Upper Feed Roller Asm. (See Left Page) ----- | 1                 |
| 46             | -----             | -----   | -                 |
| 47             | -----             | -----   | -                 |
| 48             | -----             | -----   | -                 |
| 49             | 4RPC03A0249       | 主動輪組 Upper Feed Roller Asm. (See Left Page) ----- | 1                 |
| 50             | 4RPC03A0250       | 主動輪組 Upper Feed Roller Asm. (See Left Page) ----- | 1                 |
| 51             | 4RP01AA0251       | 從動輪組 Lower Feed Roller Asm. (See Left Page) ----- | 1                 |
| 52             | -----             | -----   | -                 |
| 53             | -----             | -----   | -                 |
| 54             | -----             | -----   | -                 |
| 55             | 4RP01AA0255       | 從動輪組 Lower Feed Roller Asm. (See Left Page) ----- | 1                 |
| 56             | 4RP01AA0256       | 從動輪組 Lower Feed Roller Asm. (See Left Page) ----- | 1                 |
| 57             | 8SB36400606K      | 螺絲 Screw (RP10244 9/64"-40*5.8) -----             | -                 |
| 58             | 4RP0010224        | 滾珠座 Clutch Roller Base -----                      | 6                 |
| 59             | 4RP0010225        | 滾珠 Clutch Roller -----                            | 6                 |

RPC03 : CTD90/CT90 機型用 ( For CTD90/CT90 Model )

3. RP001 / RP01A / RP003 / RPC03 / RP004 / RPC04 / RP008 / RPC08  
 RPC09 輔助拖輪 Puller Mechanism



3. RP001 / RP01A / RP003 / RPC03 / RP004 / RPC04 / RP008 / RPC08 / RPC09

輔助拖輪 Puller Mechanism

| 序號<br>Ref. No. | 物料編號<br>Parts No. | 名稱<br>Description                           | 單位用量<br>Amt. Req. |
|----------------|-------------------|---|-------------------|
| 1              | 4RP0010301        | 軸承座 Upper Feed Roller Shaft Bracket -----   | 1                 |
| 2              | 4RP0010302        | 軸襯 Left Roller Shaft Bushing -----          | 1                 |
| 3              | 4RP0010303        | 軸襯 Right Roller Shaft Bushing -----         | 1                 |
| 4              | 22000002451       | 孔塞 Seal Plug (白色)-----                      | 1                 |
| 5              | 4RP0010305        | 油封 Oil Seal -----                           | 1                 |
| 6              | 4RP0010103        | 定位梢 Knock Pin -----                         | 2                 |
| 7              | 8MM06403510B      | 螺絲 Screw(RP0307 M6-1*35) -----              | 3                 |
| 8              | 4RP0010308        | 定位環 Collar -----                            | 1                 |
| 9              | 8SN44400400E      | 螺絲 Screw(SH0104 11/64"-40*4) -----          | 2                 |
| 10             | 4RP0010310        | 軸 Upper Feed Roller Shaft -----             | 1                 |
| 11             | 4RP0010311        | 曲柄 Upper Feed Roller Shaft Lever -----      | 1                 |
| 12             | 4RP0010312        | 曲柄梢 Upper Feed Roller Driving Rod Pin ----- | 1                 |
| 13             | 8MN06400600A      | 螺絲 Screw(CT0244 M6-1*6) -----               | 2                 |
| 14             | 4RP0010314        | 拉臂 Upper Feed Roller Arm -----              | 1                 |
| 15             | 8MM06402010A      | 螺絲 Screw(SH0444 M6-1*20) -----              | 1                 |
| 16             | 4RP0010316        | 連桿梢 Uper Feed Roller Lever Pin -----        | 1                 |
| 17             | 4RP0010317        | 連桿 Upper Feed Roller Lever Rod -----        | 1                 |
| 18             | 4RP0010318        | 球狀接頭 Ball Stud -----                        | 1                 |
| 19             | 8SA64400409B      | 螺帽 Nut(RP0319 1/4"-40*4) -----              | 2                 |
| 20             | 8SB36401106B      | 螺絲 Screw(RP0320 9/64"-40*11) -----          | 2                 |
| 21             | 4RP0010321        | 襯套 Upper Feed Roller Lever Rod Bushing----- | 1                 |
| 22             | 2210001007        | 墊圈 Washer (FT1007)-----                     | 1                 |
| 23             | 4RP0010323        | 滑軌 Upper Feed Roller Regulator -----        | 1                 |
| 24             | 8MM04281007A      | 螺絲 Screw(F02-03 M4-0.7*10) -----            | 1                 |
| 25             | 8MN05320500E      | 螺絲 Screw(CT0903 M5-0.8*5) -----             | 2                 |
| 26             | 4RP0010326        | 調整螺椿 Adjusting Stud -----                   | 1                 |
| 27             | 4RP0010327        | 滑塊 Upper Feed Roller Eccentric -----        | 1                 |
| 28             | 90NB252913        | 滾針軸承 Roller Bearing -----                   | 1                 |
| 29             | 4RP0010329        | 連桿 Upper Feed Roller Driving Rod -----      | 1                 |
| 30             | 2200001106        | 扣環 Retaining Ring -----                     | 1                 |
| 31             | 8MN04280400A      | 螺絲 Screw(C02-29 M4-0.7*4) -----             | 1                 |
| 32             | 8MM06403210B      | 螺絲 Screw(RP0307 M6-1*35) -----              | 1                 |
| 33             | 4RP0010333        | 承油盤 Oil Receiver -----                      | 1                 |
| 34             | 4RP001A0334       | 定位環組 Collar Asm -----                       | 1                 |
| 35             | 4RP001A0335       | 連桿組 Upper Feed Roller Lever Rod Asm -----   | 1                 |
| 36             | 2100000640        | 墊圈 Washer -----                             | 1                 |